

# Powered Counterbalanced Stacker

# BLUE GIANT<sup>®</sup>

## ECB-22

Walkie version of the sit-down rider lift truck makes it an ideal choice for manufacturing work cells and handling a variety of load sizes.

### CAPACITY

- 2200 lb at 24" load center

### BATTERY

- 24-volt industrial battery/battery pack
- Minimum battery weight: 480/590 lb
- Ah capacity min/max: 180/255
- Compartment dimensions (open): 26.37" x 9.06"
- Connector: SB-175 Gray—A-11
- Four pack power MF 224Ah 10VAC plug-in charger

### SPEED

- ZAPI travel controller
- **EMPTY:** 0 - 3.4 mph
- **LOADED:** 0 - 3.1 mph
- **LIFT - EMPTY:** up to 33 fpm
- **LIFT - LOADED:** up to 25 fpm
- **LOWERING - EMPTY:** up to 29 fpm
- **LOWERING - LOADED:** up to 57 fpm

### TILT

- **BACK:** 4°
- **FORWARD:** 2°

### TIRES / WHEELS

- **DRIVE:** 9" x 3" polyurethane
- **LOAD:** 8" x 3" polyurethane

### HYDRAULICS

- Hard chrome lift cylinder
- Pump unit includes motor, gear pump, solenoid, and pressure compensated lowering valves

### ELECTRICAL

- ZAPI AC travel controller
- AC drive motor
- Low-maintenance brushless design
- Automatic resetting circuit breaker
- One piece micro switch design
- Low battery interrupt
- Hour meter / Battery discharge indicator combo

### BRAKES

- Electromagnetic brake
- Travel speed is reduced when forks are above 12" fork height



- Brake is applied when control arm is in vertical or horizontal position
- Neutral braking resists rollback
- Regenerative braking

### OPERATION / CONTROLS

- Ergonomic operator handle
- Wrap-around guard
- Reversing switch
- Thumb control
- Key switch and horn
- Gas-assisted spring handle

### TRANSMISSION

- Vertically mounted drive motor
- Oil-bathed ZF GK10 hypoid bevel gear drivetrain
- State-of-the-art optimized gear technology provides minimal envelope circle, zero maintenance, and low noise level

### BEARINGS

- **DRIVE WHEEL:** Tapered roller bearings sealed in oil bath
- **LOAD WHEELS:** Sealed ball bearings

### FRAME AND MAST

- Bolt-on high-visibility I-beam construction
- Dual lifting chains
- Class II ITA fork carriage with 36" tall load back rest
- Adjustable forks

### ACCESSIBILITY

- Removal of two piece power head cover exposes major components for inspection and maintenance
- Drive wheel is removed with one nut

**STANDARD EQUIPMENT**

- 35" (889 mm) tall load backrest

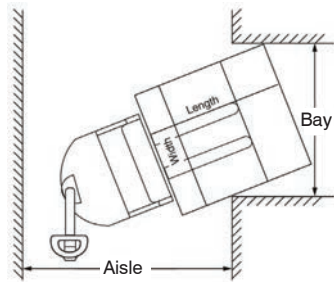
**OPTIONAL EQUIPMENT**

- Industrial battery 255 Ah 5.9 kwh

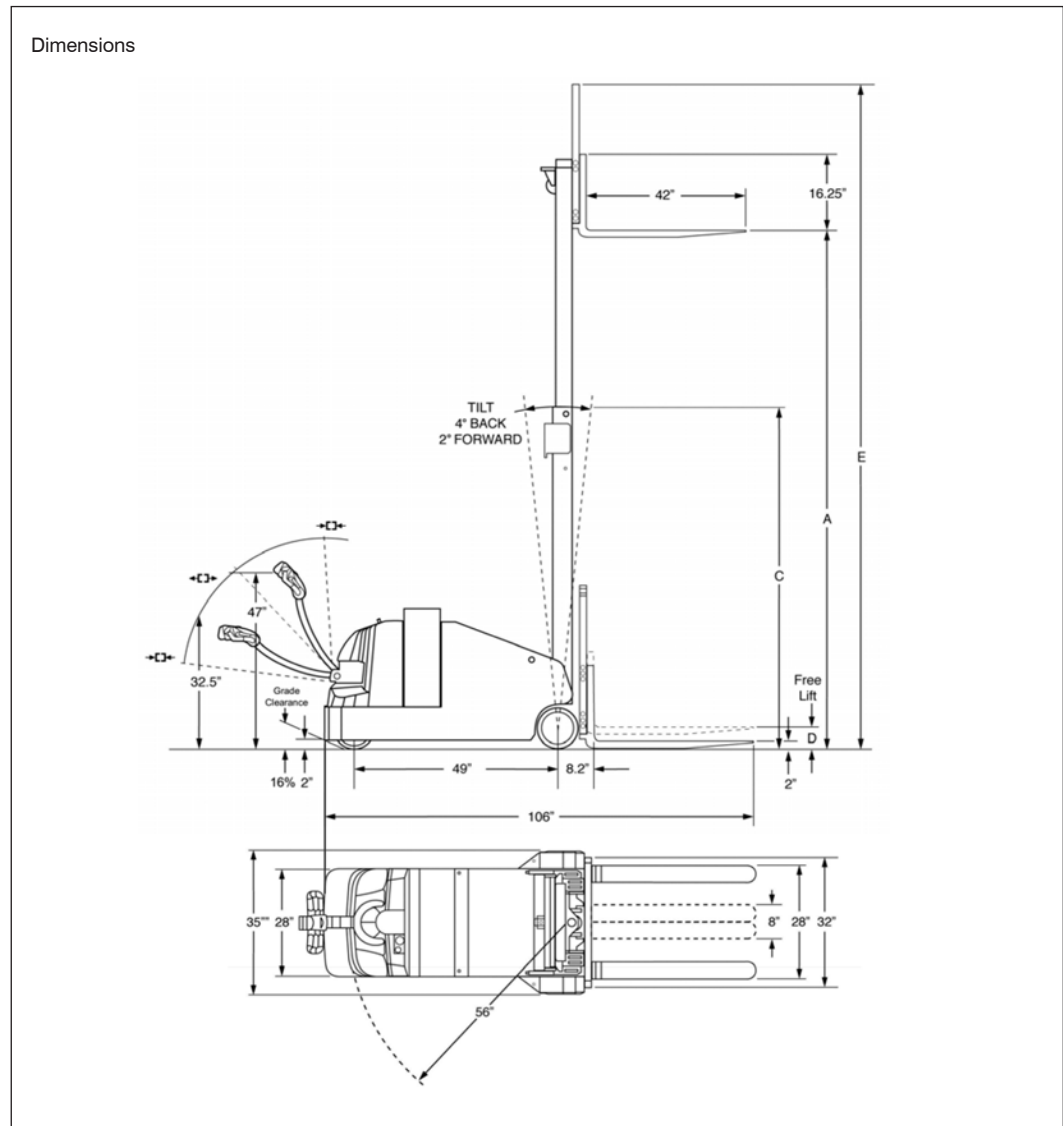
Aisle Guide  
ECB-22 Right Angle Stacking

| Load Width | Load Length |      |      |
|------------|-------------|------|------|
|            | 36"         | 40"  | 48"  |
| 36"        | 115"        | 120" | 125" |
| 40"        | 115"        | 120" | 125" |
| 48"        | 115"        | 120" | 125" |

For ease of use add 6" to 8" aisle dimension listed.  
\*For metric conversion multiply inches by 25.4.



**Note:** Aisle dimensions listed above assume the larger dimension; load width or load length. For ease of use and add 6" to 12" for operator clearance to the appropriate specifications listed above. Truck performance may vary due to application requirements and changes in model design.



| Model#   | Mast       | Lift Height | Col Height | Free Lift | Ext Height w/LBR | Gradeability |    | Weight (Chassis Only) |        |          |
|--|------------|-------------|------------|-----------|------------------|--------------|----|-----------------------|--------|----------|
|  |            | A           | B          |           |                  | C            | E  |                       | Loaded | Unloaded |
|  |            | F           | G          |           |                  |              |    |                       |        |          |
| 2200 lb Capacity at 24" Load Center ITA Class II Fork Carriage |            |             |            |           |                  |              |    |                       |        |          |
| ECB-22-104   | Telescopic | 104"        | 72.3"      | 6"        | 143"             | 5%           | 8% | 4005 lb               |        |          |
| ECB-22-128   | Telescopic | 128"        | 83.2"      | 6"        | 165"             | 5%           | 8% | 4082 lb               |        |          |