

EPJ-40

Ultra compact design is the ideal solution for lift gate and local delivery applications.

CAPACITY

- 4000 lb

BATTERY

- (2) 12-volt AGM 85Ah maintenance-free batteries
- 10A 110VAC plug-in automatic charger

SPEED

- 24-volt ZAPI AC-0 travel controller
- **EMPTY:** 0 - 3.6 mph
- **LOADED:** 0 - 3.3 mph

WEIGHT

- 650 lb (with battery and charger)

TIRES / WHEELS

- **DRIVE:** 9" x 3" polyurethane
- **LOAD:** 2.9" x 3.5" polyurethane
- **STABILITY CASTERS:** 3.3" x 1.9" polyurethane

HYDRAULICS

- Lift cylinder with chrome-plated rods
- Pump unit including motor, solenoid, gear pump, and pressure compensated lowering valve

ELECTRICAL

- Electric braking
- Quick disconnect EPD power cut-off
- Battery discharge indicator
- Anti-rollback feature

BRAKES

- Electromagnetic brake
- Brake is applied when control arm is in the vertical or horizontal position
- Neutral braking

OPERATION / CONTROLS

- Ergonomic operator handle
- Angle grips
- Wrap-around guard
- Reversing switch
- Thumb control
- Key switch and horn



- Low mounted tiller arm
- Gas-assisted spring tiller handle
- Creep speed function with steer handle at 15° back-tilt from vertical

TRANSMISSION

- Vertically mounted AC drive motor
- Oil-bathed hypoid bevel gear drivetrain with tapered roller bearings
- State-of-the-art optimized gear technology provides minimal envelope circle, zero maintenance, and low noise level

ACCESSIBILITY

- Water-resistant
- Removal of three piece power head cover exposes major components for inspection and maintenance

OPTIONAL EQUIPMENT

- Rubber lug drive tire
- 48" tall load back rest
- 60" tall load back rest
- Fork width: 22"
- Fork length: 36"
- Tool tray with load restraint



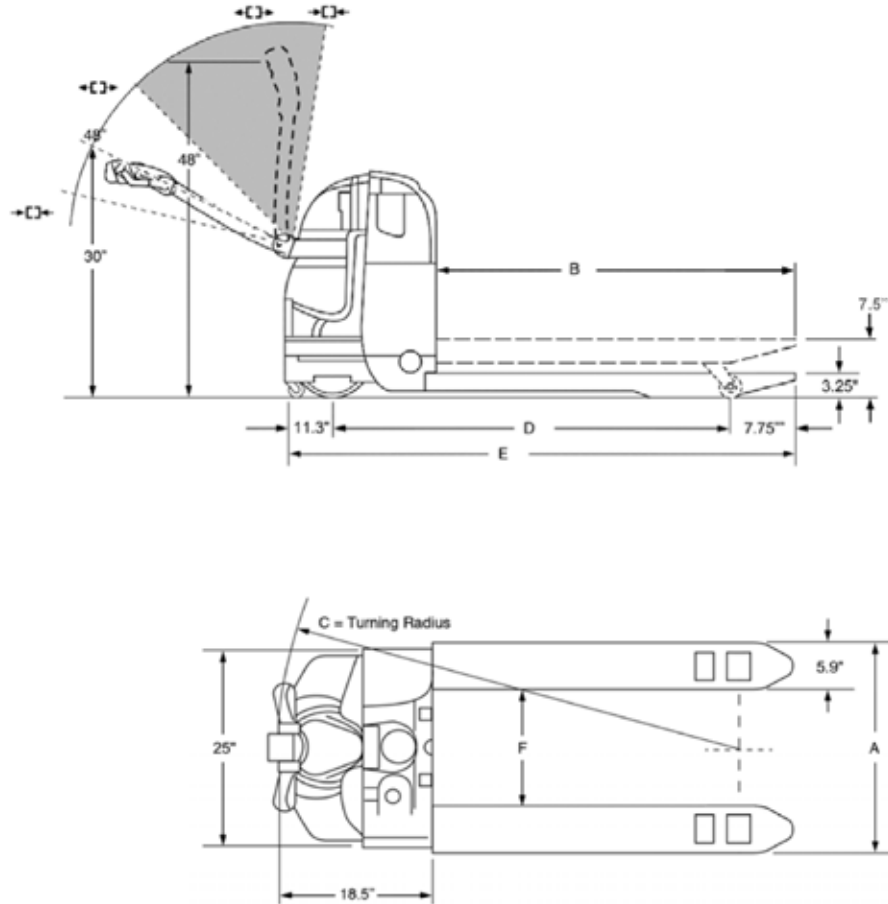
Battery discharge indicator, key switch, emergency power disconnect and built-in automatic battery charger.



Ergonomic operator's handle

Gradeability	
Without Load	10%
With Load	6%
Travel - Variable	
Empty	0 to 3.6 mph
Loaded	0 to 3.3 mph

Dimensions



Model#	Forks	Actual Fork Width	Actual Fork Length	Turning Radius	Wheel-base	Overall Length	Inside Fork Width	Weight
		A	B	C	D	E	F	
Fork Dimension: 27" Wide		in	in	in	in	in	in	lb
EPJ-40	27" x 36"	27	33	45.5	32.95	52	15.2	635
	27" x 48"		45	57.5	51.25	64		650
Fork Dimension: 22" Wide								
EPJ-40	22" x 36"	21.5	33	45.5	32.95	52	9.7	635
	22" x 48"		45	57.5	44.95	64		650

* Estimated shipping weight with (2) battery