

ERJ-60

Heavy-duty end-control rider pallet truck ideal for manufacturing and large warehouse applications.

CAPACITY

- 6000 lb

BATTERY

- Compartment: 31.12" x 13.12" x 31.62"
- Connector: Anderson 175 Gray – A-11
- Min/max battery weight: 975/1500 lb

SPEED

- **EMPTY:** 0 - 9.0 mph
- **LOADED:** 0 - 6.5 mph

WEIGHT

- 1528 lb (chassis only)

TIRES / WHEELS

- **DRIVE:** 10" x 4" polyurethane
- **STABILITY CASTER WHEELS:** (2) - 3.9" x 2.5" polyurethane
- **LOAD:** (2) - 3.25" x 6.5" polyurethane

HYDRAULICS

- Heavy-duty pump motor with center mounted lift cylinder
- Heavy-duty pump unit, hydraulic reservoir, solenoid, and gear pump
- Integral pressure compensated flow control valve

ELECTRICAL

- Heavy-duty, 24-volt system
- Programmable ZAPI traction control and matching drive motor
- Separately fused power control circuits
- Quick disconnect EPD power cut-off
- Hour meter/Battery discharge indicator combination gauge
- Power configurations and diagnostic features are standard
- Programmable travel speeds, plugging, and neutral braking are infinitely variable

BRAKES

- Regenerative electromagnetic brake
- Brake is applied when control arm is in the vertical or horizontal position
- Anti-rollback features
- Neutral braking

OPERATION / CONTROLS

- Large, comfortable operator platform
- Ergonomic operator handle features travel, lift, lower, and horn functions



- Large thumb control lever for forward/reverse travel allows travel as a rider truck or walkie
- Microcellular rubber floor mat
- Angled, two piece power head cover
- Smooth urethane high speed grab bar for operator security
- One touch high speed button

TRANSMISSION

- Vertically mounted drive motor
- Oil-bathed hypoid bevel gear drivetrain with tapered roller bearings
- State-of-the-art optimized gear technology provides minimal envelope circle, zero maintenance, and low noise level

CASTER SYSTEM

- Heavy-duty, spring-loaded articulating systems stabilizes truck performance and increases operator comfort

FORK ASSEMBLY

- Pallet entry slide allows easy pallet entry
- Eight easily accessed grease zerks for ease of maintenance
- Tapered extended fork tip design available on double pallet handling models

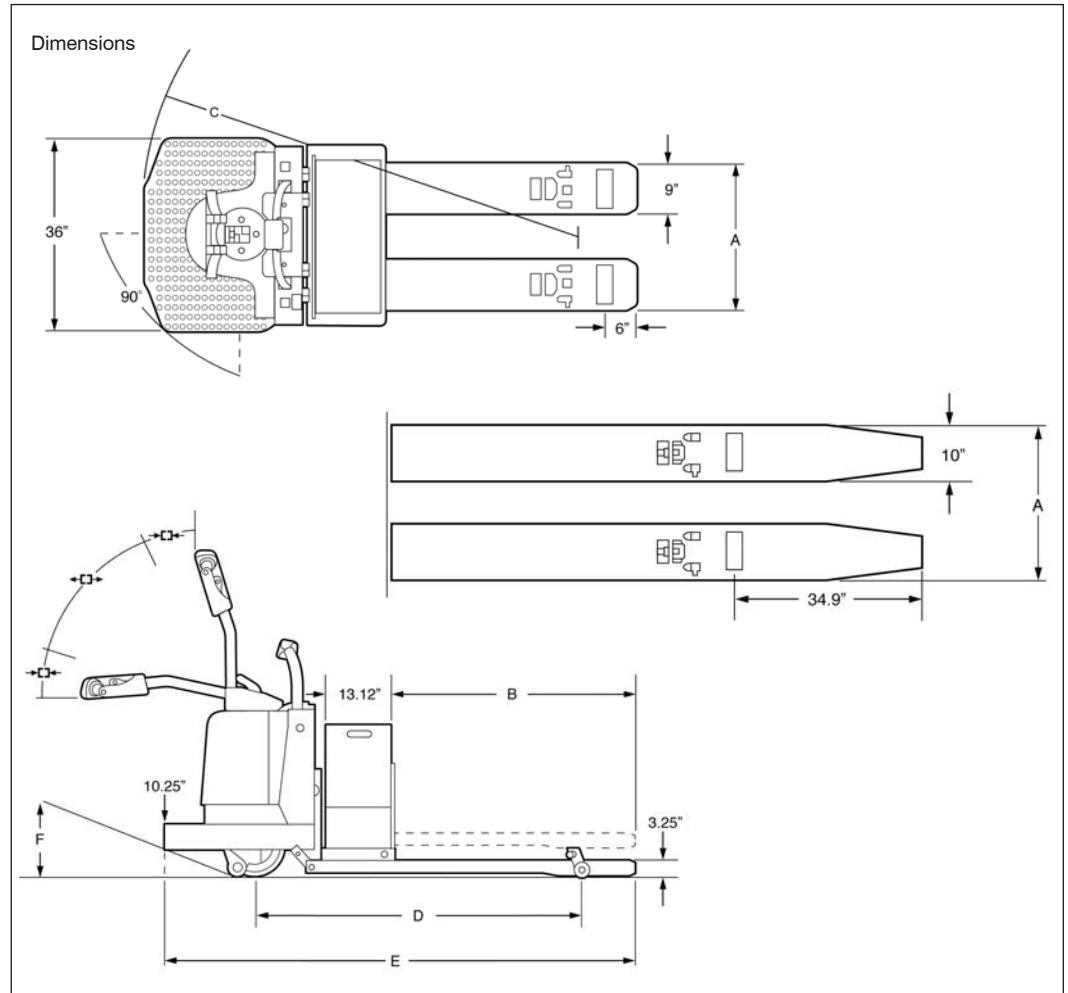
ACCESSIBILITY

- Heavy-duty composite two piece cover exposes major components for inspection and maintenance

STANDARD EQUIPMENT

- Large AC traction motor
- Ergonomic high speed bar

Gradeability	
Without Load	15%
With Load	8%
Travel Power Head First - Variable	
Empty	0 to 9.0 mph
Loaded	0 to 6.5 mph
Travel Forks First - Variable	
Empty	0 to 7.1 mph
Loaded	0 to 5.4 mph
Lowered Fork Height	
	3.25"
Maximum Lift Height	
	5.5"
Extended Fork Height	
	8.25"
Platform Step Height	
	10.25"



Model #	Forks	Fork Width	Actual Fork Length	Turning Radius	Wheelbase	Overall Length	Grade Clearance	³ Weight
		A	B	C	D	E	F	lb
Fork Dimensions: 27" wide								
ERJ-60	27" x 36"	27"	35.5"	68.9"	55.8"	80.1"	38%	1175
	27" x 48"		46.8"	81.2"	67.8"	91.5"	30%	1254
	27" x 60"		59.5"	59.8"	67.8"	104.1"	25%	1354
	28" x 96"	28"	95.6"	101.9"	88.6"	140.2"	17%	1595
Fork Dimensions: 22" wide								
ERJ-60	22" x 36"	22"	35.5"	68.9"	55.8"	80.1"	38%	1175
	22" x 48"		46.9"	81.2"	67.8"	91.5"	30%	1254

³ Estimated shipping weight without battery.