

## PDS-30

Short turning radius makes the PDS-30 an excellent choice for narrow aisles, tool rooms or street level loading.

### CAPACITY

- 3000 lb at 24" load center

### BATTERY

- Minimum battery weight: 480 lb
- Compartment dimensions (open): 26.37" x 9.1"
- Connector: Anderson 175 Gray—A-11

### SPEED

- **EMPTY:** 0 - 3.4 mph
- **LOADED:** 0 - 3.1 mph
  
- **LIFT - EMPTY:** up to 40 fpm
- **LIFT - LOADED:** up to 35 fpm—3000 lb
  
- **LOWERING - EMPTY:** up to 29 fpm
- **LOWERING - LOADED:** up to 57 fpm—3000 lb

### WEIGHT

- 2539 lb (chassis only)

### TIRES / WHEELS

- **DRIVE:** 9" x 3" polyurethane
- **LOAD:** 4" x 2.9" polyurethane

### HYDRAULICS

- Lift cylinder with hard chrome-plated rods
- Pump unit includes motor, solenoid, gear pump, and pressure compensated lowering valve

### ELECTRICAL

- 24-volt
- ZAPI AC-0 inverter, travel control with matching drive motor
- Separately fused power control circuits
- Quick disconnect EPD power cut off
- Hour meter / Battery discharge indicator combination gauge
- Power configurations and diagnostic features are displayed with a ZAPI handheld console

### BRAKES

- Regenerative electromagnetic brake
- Brake is applied when control arm is in the vertical or horizontal position
- Anti-rollback feature
- Neutral braking

### OPERATION / CONTROLS

- Ergonomic operator handle



- Angle grips
- Wrap-around guard
- Reversing switch
- Thumb control and horn
- Low mounted tiller arm
- Gas-assisted spring handle
- Creep speed function with steer handle at 5° back-tilt from vertical

### TRANSMISSION

- Vertically mounted drive motor
- Oil-bathed ZF GK10 hypoid bevel gear drivetrain with tapered roller bearings
- State-of-the-art optimized gear technology provides minimal envelope circle, zero maintenance, and low noise level

### FRAME AND MAST

- Bolt-on high visibility mast, I-beam construction, and lift cylinders
- 3" wide adjustable straddle legs
- Straddle leg inside dimension (ID) can be set at 38" to 50" in 4" increments; 42" to 50" with the triple stage mast
- Class II ITA fork carriage with 36" tall load back rest
- Forks are adjustable from 8" ID to 30" OD

### ACCESSIBILITY

- Removal of two piece power head cover exposes major components for inspection and maintenance.

**STANDARD EQUIPMENT**

- Wrap-around steel bumper
- Two speed lower
- Programmable performance travel, plugging, and braking

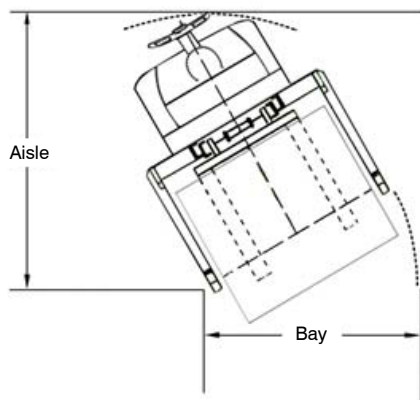
**OPTIONAL EQUIPMENT**

- 36" long forks
- 48" long forks
- 48" tall load backrest
- Cold conditioning
- Maintenance-free battery pack (4) 6V AGM 224 AH / 5.4 kWh integral 110V AC plug-in charger
- 24V wet celled industrial battery 255 AH / 5.9 kWh

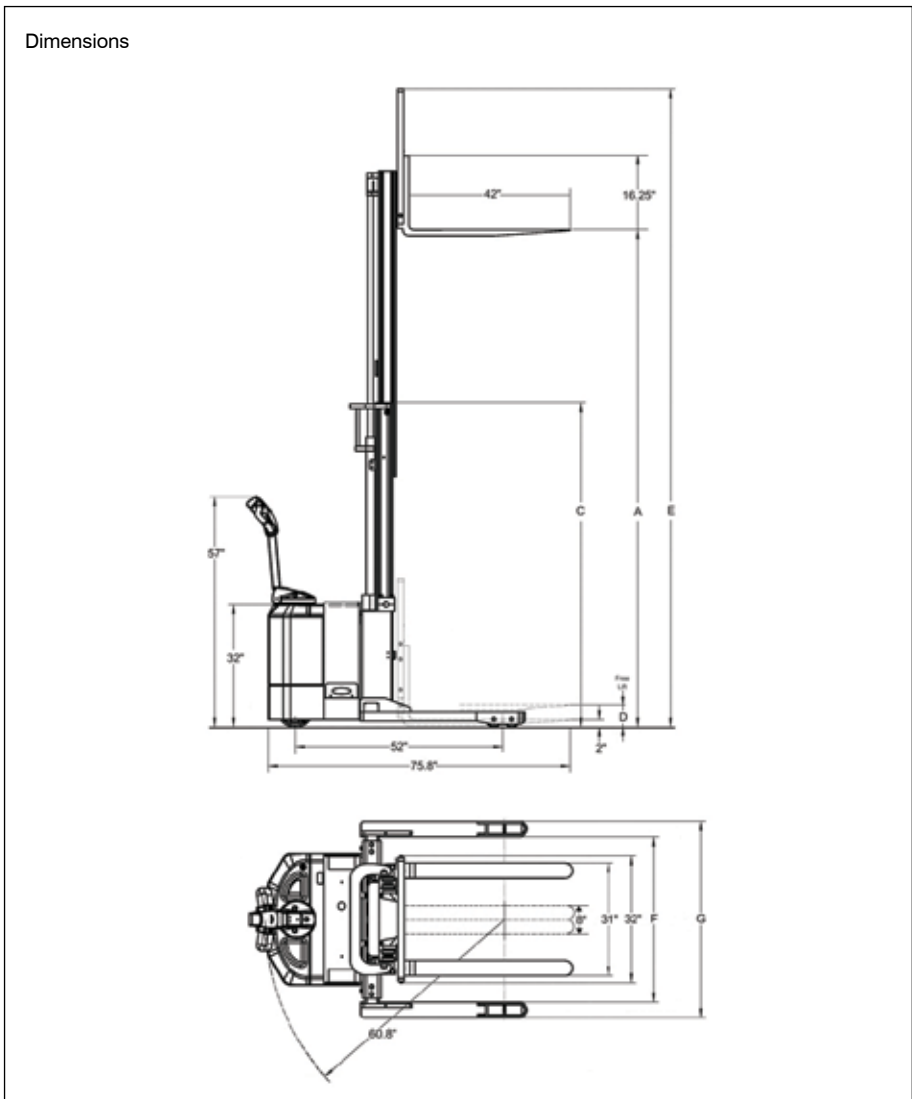
**Right Angle Stacking Aisle Dimensions**

Load Length	Load Width		
	36"	40"	48"
36"	67.6"	67.6"	67.6"
40"	69.1"	69.1"	69.1"
48"	73.4"	73.4"	73.4"

For ease of use add 8" to aisle dimension listed.  
If sideshift option is used add 2"



**Note:** Aisle dimensions listed above assume the bay width to be straddled OD plus 2" (1" on either side of straddle leg). Straddle OD is the load width plus 8".



Model#	Mast	Lift Height	Col Height	Free Lift	Ext Height w/LBR	<sup>2</sup> Adjustable Straddle Leg (4" Increments)		<sup>3</sup> Weight (Chassis Only)
		A	C	D	E	ID	OD	
		F	G					

**3000 lb Capacity @ 24" Load Center ITA Class II Fork Carriage**

PDS-30-104	Telescopic	104"	71"	6"	142"	38 to 50"	46 to 58"	2042 lb
PDS-30-126		126"	83"		165"			2172 lb
PDS-30-142		142"	91"		178"			2239 lb
PDS-30-157	Trimast	157"	71"	50"	193"	42 to 50"	50 to 58"	2444 lb
PDS-30-177		177"	79"	58"	213"			2539 lb

<sup>1</sup> Derates 1000 lb above 162"  
<sup>2</sup> Minimum inside dimension (ID) 38". Outside dimension = inside dimension + 8"  
<sup>3</sup> Estimated shipping weight without battery