

## PDS-40

Short turning radius makes the PDS-40 an excellent choice for narrow aisles, tool rooms or street level loading.

### CAPACITY

- 4000 lb at 24" load center

### BATTERY

- Compartment dimensions (open): 31.6" x 13.1"
- Minimum battery weight: 1090 lb
- Connector: Anderson 175 Gray—A-11

### SPEED

- **EMPTY:** 0 - 3.4 mph
- **LOADED:** 0 - 3.1 mph
  
- **LIFT - EMPTY:** up to 37 fpm
- **LIFT - LOADED:** up to 32 fpm
  
- **LOWERING - EMPTY:** up to 29 fpm
- **LOWERING - LOADED:** up to 56 fpm—4000 lb

### WEIGHT

- 2624 lb (chassis only)

### TIRES / WHEELS

- **DRIVE:** 9" x 3" polyurethane
- **DUAL LOAD:** (2) 4" x 2.9" polyurethane

### HYDRAULICS

- Lift cylinder has hard chrome-plated rods
- Pump unit including motor, solenoid, gear pump, and pressure compensated lowering valve

### ELECTRICAL

- 24-volt
- ZAPI AC-0 travel control-inverter with matching drive motor
- Separately fused power control circuits
- Quick disconnect EPD power cut off
- Hour meter / Battery discharge indicator combination gauge
- Power configurations and diagnostic features are displayed with a ZAPI handheld console
- Low battery interrupt

### BRAKES

- Regenerative electromagnetic brake
- Brake is applied when control arm is in the vertical or horizontal position
- Anti-rollback
- Neutral braking

### OPERATION / CONTROLS

- Ergonomic operator handle



- Angle grips
- Wrap-around guard
- Reversing switch
- Thumb control
- Key switch and horn
- Top mounted tiller arm
- Gas-assisted spring handle
- Creep speed handle control

### TRANSMISSION

- Vertically mounted drive motor
- Oil-bathed bevel gear drivetrain with tapered roller bearings
- State-of-the-art optimized gear technology provides minimal envelope circle, zero maintenance, and low noise level

### FRAME AND MAST

- Bolt-on high-visibility mast
- Dual lifting chains
- Fixed straddle leg inside dimension (ID) can be set to 42" or 50"
- 4" wide straddle legs = ID ÷ 8"
- Class II ITA fork carriage with 36" tall load back rest
- Forks are adjustable from 8" ID to 31" OD

### BEARINGS

- DRIVE WHEEL:** tapered roller bearings sealed in oil bath
- LOAD WHEELS:** sealed ball bearings

### ACCESSIBILITY

Removal of two piece power head cover exposes major components for inspection and maintenance

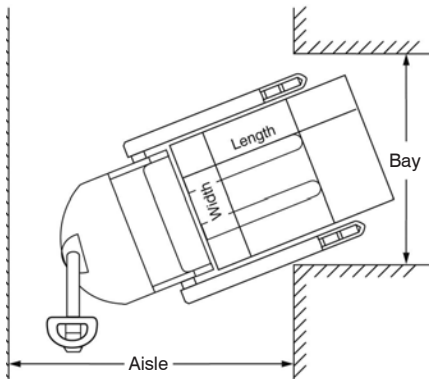
**OPTIONAL EQUIPMENT**

- 48" tall load backrest
- Cold conditioning
- Side-shifting fork carriage
- Battery 510 AH 11.9 kwh

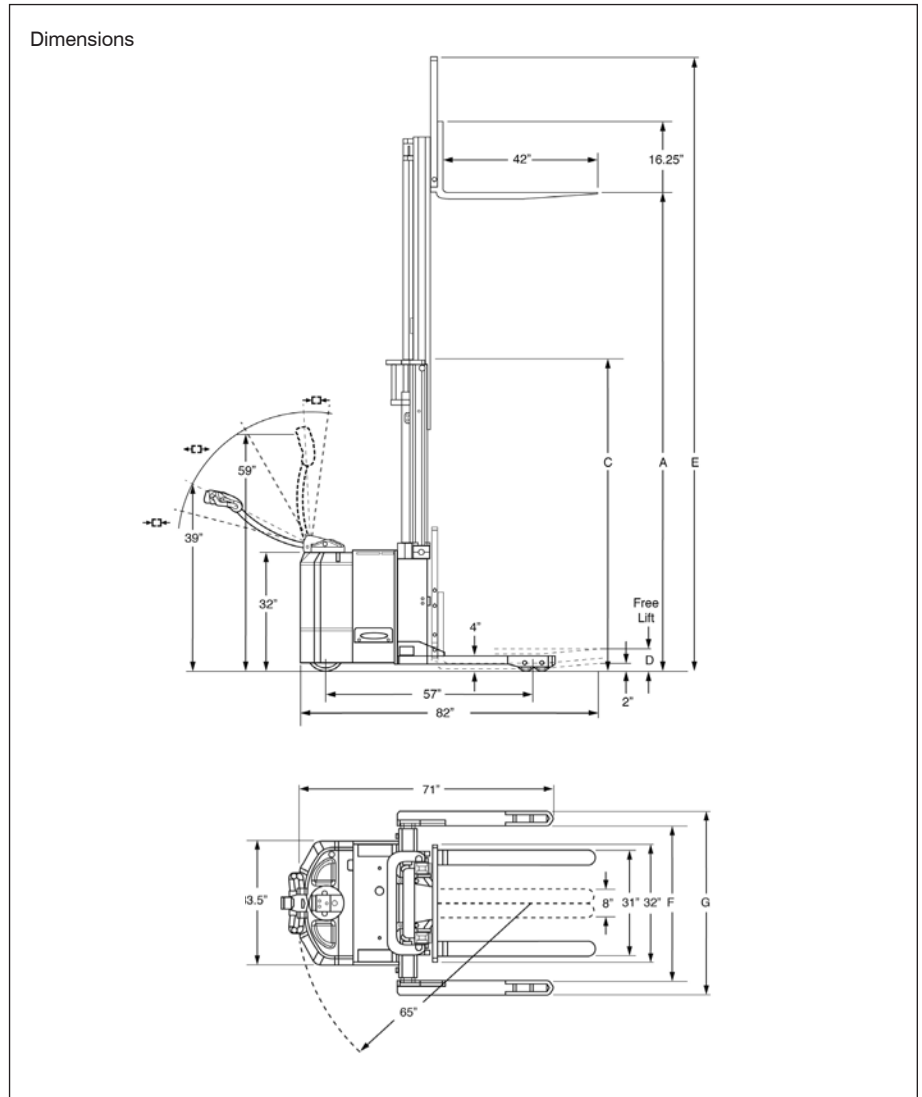
**Right Angle Stacking Aisle Dimensions**

Load Length	Load Width		
	36"	40"	48"
36"	79.5"	79.5"	79.5"
40"	80.5"	80.5"	80.5"
48"	80.5"	80.5"	80.5"

For ease of use add 8" to aisle dimension listed.  
If sideshift option is used add 2".



**Note:** Aisle dimensions listed above assume the minimum bay width to be straddle OD plus 5" (2.5" on each either side of straddle leg). Straddle OD is the load width plus 10". Truck performance may vary due to application requirements and changes in model design.



Model#	Mast	Lift Height	Col Height	Free Lift	Ext Height w/ LBR	<sup>2</sup> Fixed Straddle Leg (4" Increments)		<sup>3</sup> Weight (Chassis Only)
		A	C	D	E	ID	OD	
		F		G				

**4000 lb Capacity @ 24" Load Center ITA Class II Fork Carriage**

PDS-40-104	Telescopic	104"	72"	6"	142"	42 or 50"	50 or 58"	2042 lb
PDS-40-126		126"	83"		165"			2172 lb
PDS-40-142		142"	91"		178"			2239 lb
PDS-40-157	Trimast	157"	72"	50"	193"			2444 lb
*PDS-40-177		177"	80"	58"	213"			2539 lb

<sup>2</sup> Derates 1000 lb above 162"  
<sup>2</sup> Minimum inside dimension (ID) 38". Outside dimension = inside dimension + 8"  
<sup>3</sup> Estimated shipping weight without battery