

PDS

Short turning radius makes the PDS an excellent choice for narrow aisles, tool rooms or street level loading.

CAPACITY

- 2500 lb

BATTERY

- 24-volt industrial battery/battery pack
- Minimum battery weight: 480/590 lb
- Ah capacity (min/max): 180/255
- Compartment dimensions (open): 26.37" x 9.06"
- Connector is SB-175 Gray—A-11

SPEED

- ZAPI AC-0 travel controller
- **EMPTY:** 0 - 3.4 mph
- **LOADED:** 0 - 3.1 mph
- **LIFT - EMPTY:** up to 33 fpm
- **LIFT - LOADED:** up to 25 fpm—2500 lb
- **LOWERING - EMPTY:** up to 29 fpm
- **LOWERING - LOADED:** up to 57 fpm—2500 lb

WEIGHT

- 1601 lb (chassis only)

TIRES / WHEELS

- **DRIVE:** 9" x 3" polyurethane
- **LOAD:** 4" x 2.75" polyurethane

HYDRAULICS

- Hard chrome lift cylinders
- Pump unit including motor, gear pump, and solenoid
- Actuated using a pressure compensated lowering valve

ELECTRICAL

- ZAPI AC travel controller
- AC drive motor
- Low-maintenance brushless design
- Automatic resetting circuit breaker
- One piece micro switch design

BRAKES

- Electromagnetic brake
- Brake is applied when control arm is in the vertical or horizontal position
- Neutral braking, anti-rollback on ramps
- Regenerative braking



OPERATION / CONTROLS

- Ergonomic operator handle
- Wrap-around guard
- Reversing switch
- Thumb control and horn
- Creep speed function while steer handle is 1.5° back-tilt from vertical

TRANSMISSION

- Vertically mounted drive motor
- Oil-bathed ZF GK10 hypoid bevel gear drivetrain
- State-of-the-art optimized gear technology provides minimal envelope circle, zero maintenance, and low noise level

FRAME AND MAST

- Bolt-on high visibility mast, I-beam construction, lift cylinders positioned in outer I-beam
- Dual lifting chains
- 3" wide adjustable straddle legs
- Straddle leg inside dimension (ID) can be set at 38" to 50" in 2" increments

BEARINGS

- **DRIVE WHEEL:** Tapered roller bearings sealed in oil bath
- **LOAD WHEELS:** Sealed ball bearings

OUTRIGGER PRESETS:

- **ID:** 38", 40", 42", 44", 46", 50"
- **OD:** 44", 46", 48", 50", 52", 56"

- Plexiglas safety screen
- 36" tall back rest
- Class II ITA fork carriage
- Forks are adjustable: 8" ID to 24" OD

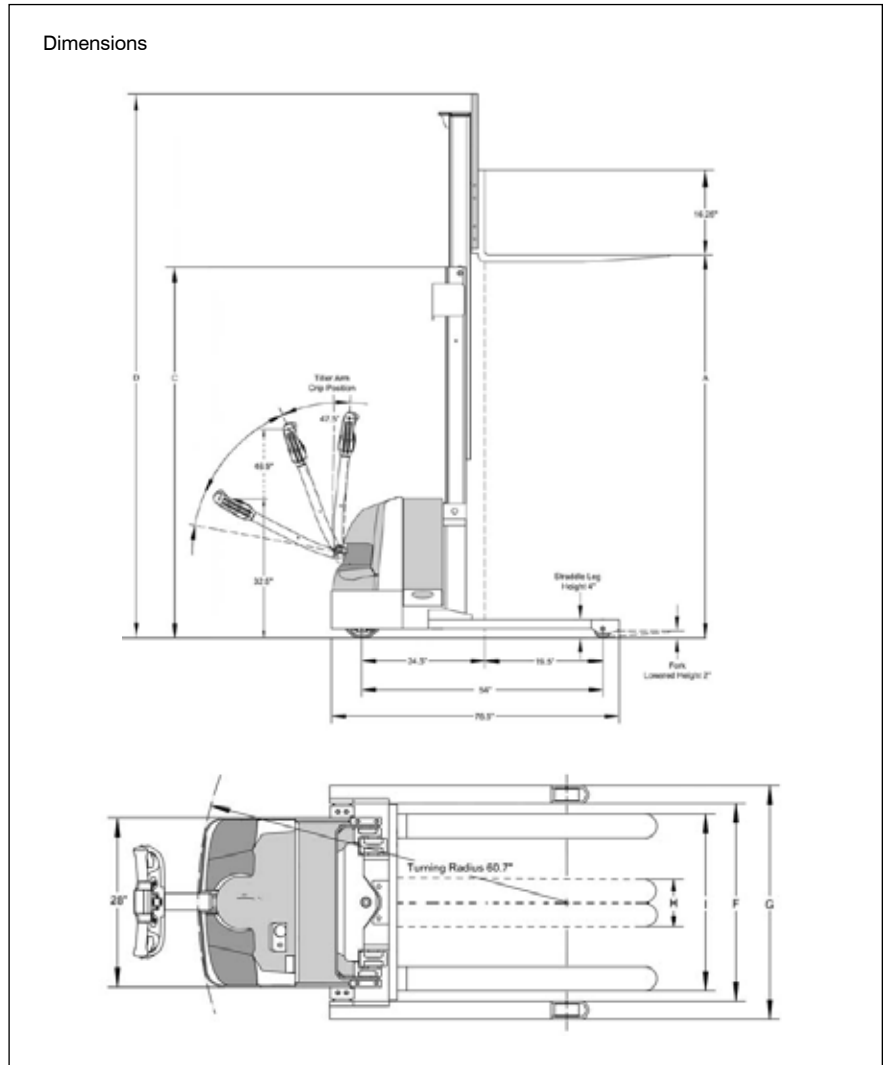
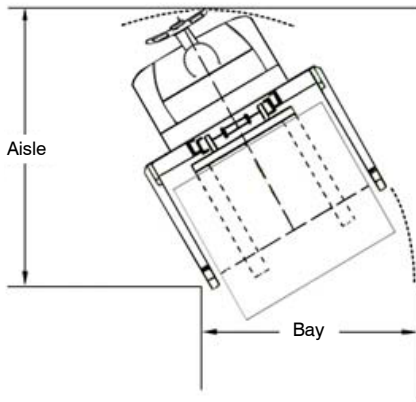
ACCESSIBILITY

- Removal of two piece power head cover exposes major components for inspection and maintenance
- Press-on drive tire can be removed with one nut

Right Angle Stacking Aisle Dimensions

Load Length	Load Width			
	36"	40"	42"	48"
36"	66"	66"	68"	69"
42"	66"	66"	68"	69"
48"	80"	80"	79"	77"

- ☐ Aisle dimensions listed have zero clearance
- Add 12" for ease of use.



Note: Aisle dimensions listed above assume the bay width to be straddled OD plus 2" (1" on either side of straddle leg). Straddle OD is the load width plus 8"

Model#	Lift Height	Col Height	Free Lift	Ext Height w/LBR	Adj Straddle Leg (2" Increments)		Forks		Ship Weight w/o Battery
	A	C		D	ID	OD	ID	OD	
				F	G	H	I		

2000 lb Capacity @ 24" Load Center ITA Class II Fork Carriage

PDS 20-106	106"	7"	6"	142"	38 to 50"	44 to 56"	8"	24"	1135 lb
PDS 20-130	130"	83"		165"					1170 lb
PDS 20-142	142"	95"		178"					1195 lb
PDS 20-157	157"	71"	50"	193"					1395 lb

2500 Capacity lb @ 24" Load Center ITA Class II Fork Carriage

PDS 25-106	106"	71"	6"	142"	38 to 50"	44 to 56"	8"	24"	1351 lb
PDS 25-130	130"	83"		165"					1376 lb
PDS 25-142	142"	95"		178"					1401 lb
PDS 25-157	157"	71"	50"	193"					1601 lb

* Complete weight includes truck, battery and charger



Corporate 85 Heart Lake Road South
 Brampton, ON, Canada L6W 3K2
 t 905.457.3900 f 905.457.2313

USA 6350 Burnt Poplar Road
 Greensboro, NC 27409
www.BlueGiant.com

IT-PDS-US-082514